

Project	
Nomenclature	
Type	Date
Approval	
Notes	

Designed to withstand harsh and hazardous applications, the BHZ's rugged design delivers a high performance lighting solution that is certified for use in all Class 2, Div. 1 Groups E, F and G environments.

### Luminaire Summary

#### Features

- L70 of 150,000+ hours, L90 of 47,000+ hours
- High-temperature rated silicone gasketing
- Stainless steel linear lens-mounting clips
- 80 CRI
- Available in 3000K, 3500K, 4000K and 5000K
- Lumen packages are available ranging from 2.5L (2500lm) to 11.5L (11500lm)

#### Approvals

- ETL certified to UL Canada and United States standards
- Made with UL Listed components
- Class 2, Div. 1, Groups EFG

#### Mounting

- Suspended and surface mount bracket provided

#### Construction

- Manufactured in Ontario, Canada
- Cast aluminum body, 1/8" thick
- Conduit knockouts in both ends
- Laminated tempered glass lens

#### Electrical

- Available in 120-277V, 347V and 480V

### Ordering Information

Fill in the fields below with your product selections. If you need help with this section, [contact your local sales professional](#).



1	2	3	4	5
<b>BHZ</b>				

Series	Lumen Output	CRI	Colour Temp	Voltage
BHZ	2.5L (2500lm)	8 - 80 CRI	30 - 3000K	UNV - 120-277V
	3.5L (3500lm)		35 - 3500K	
	4.5L (4500lm)		40 - 4000K	480 - 480V
	5.5L (5500lm)		50 - 5000K	
	6.5L (6500lm)			
	7.5L (7500lm)			
	8.5L (8500lm)			
	9.5L (9500lm)			
	10.5L (10500lm)			
	11.5L (11500lm)			

6

### Options

#### Lenses

BLANK | Clear Laminated Tempered Glass

#### Cords

W3xx | White 16/3 (Specify Length)  
W4xx | Black 16/3 (Specify Length)

Key	Cord Length	Key	Cord Length
6	6FT	15	15FT
10	10FT	20	20FT

Ex. **W406** would be 16/3 Black, 6FT

#### Mounting

BLANK | Stainless Steel Suspension or Surface Mount Brackets

#### Warranty

CL7 | 10-Year Comprehensive Warranty Upgrade



### Documentation and Resources

All files and resources are available on our website for download. Files and resources are also embedded as links in this document, listed below. Additional files may be available upon request. Please contact your local sales agent [here](#) or contact [sales@bjtake.com](mailto:sales@bjtake.com) for more information.

-  BHZ - Installation Instructions
-  BHZ-2'-2.5L-840-L68
-  BHZ-2'-3.5L-840-L68
-  BHZ-2'-4.5L-840-L68
-  BHZ-2'-5.5L-840-L68
-  BHZ-2'-6.5L-840-L68
-  BHZ-2'-7.5L-840-L68
-  BHZ-2'-8.5L-840-L68
-  BHZ-2'-9.5L-840-L68
-  BHZ-2'-10.5L-840-L68
-  BHZ-2'-11.5L-840-L68

### Certifications and Listings

Certifications that apply to this fixture and its possible configurations are listed here. More information available upon request.

Icon	Description
	Class 2, Div. 1, Groups EFG
	ETL Listed

### Usage Applications

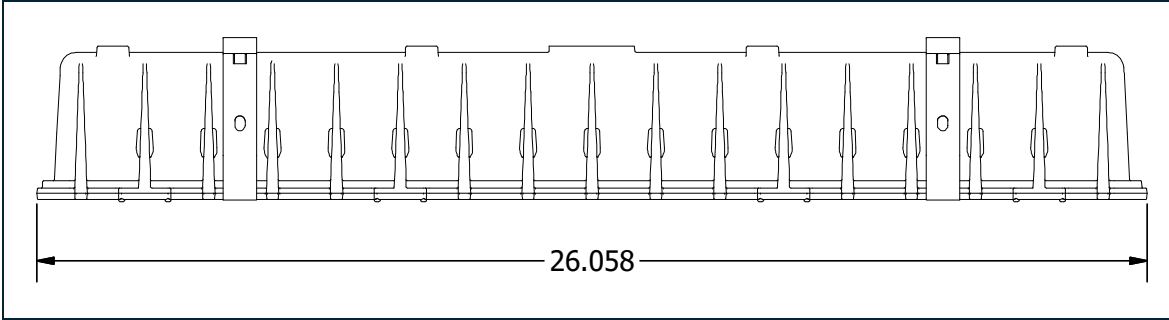
This fixture can be used in a variety of applications, and is ideal for the following:

Usage Application
Storage Facilities
Food Processing Plants
Manufacturing Facilities

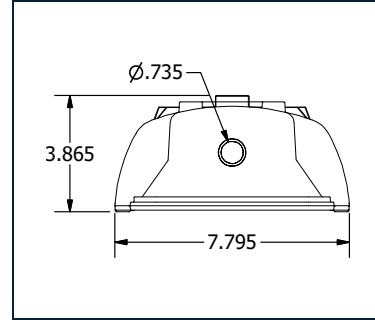
### Warranty Statement

BJ Take products are tested and/or inspected prior to being packaged for shipment and are guaranteed from the day the product is shipped for a period of ten-year LED chip warranty and a five-year comprehensive component warranty. This can be upgraded to a ten-year comprehensive warranty on request.

BHZ, Side Dims



End View



BHZ Wattage

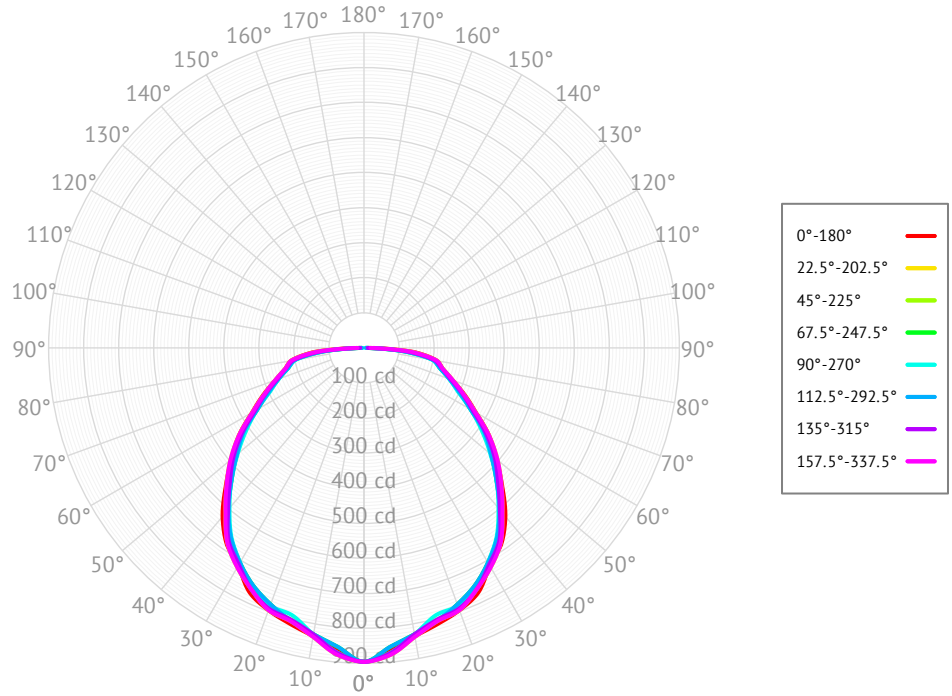
Length	Lumens	Wattage	Lumen Output	Lumens per watt
2'	2.50	18.85	2,559	135.76
2'	3.50	25.87	3,512	135.76
2'	4.50	32.89	4,465	135.76
2'	5.50	39.91	5,418	135.76
2'	6.50	46.93	6,464	137.74
2'	7.50	53.90	7,418	137.63
2'	8.50	60.79	8,372	137.72
2'	9.50	67.71	9,326	137.73
2'	10.50	74.64	10,195	136.59
2'	11.50	81.57	11,234	137.72

- \* Drawings aren't to scale
- \* Standard tolerances apply
- \* Specifications may change without notice

## BHZ-2'-2.5L-840-L68

### Cone of Light

Mtg Height	Light Level	Beam Diameter
6 ft	25 fc	19 ft
8 ft	14 fc	25 ft
10 ft	9 fc	31 ft
12 ft	6 fc	37 ft
15 ft	4 fc	47 ft

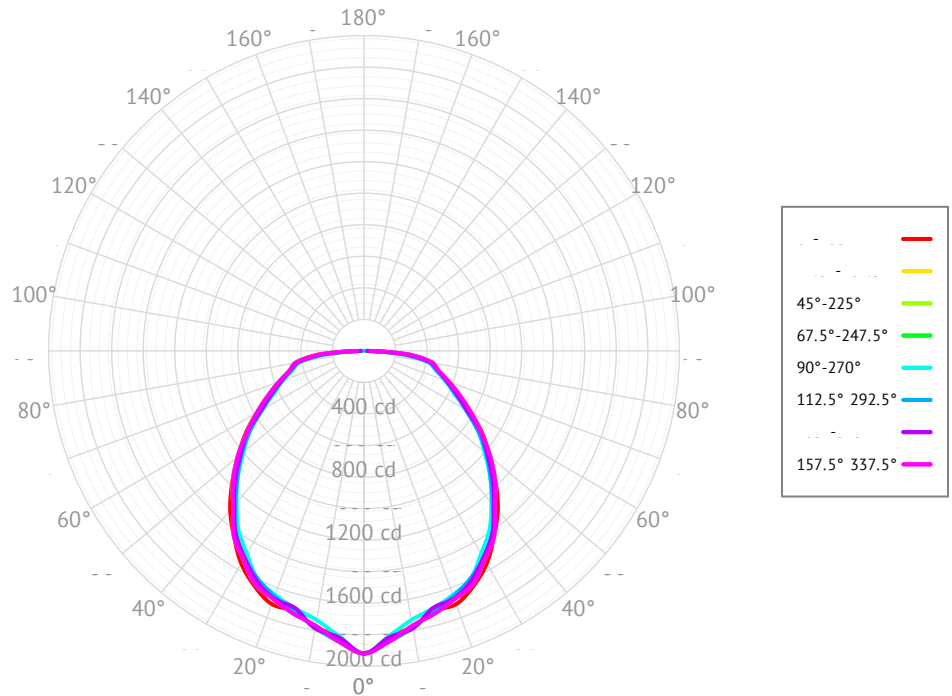


Based on 'BHZ-2.5L-840-L68'; ie. (BHZ, 2500lm, 80 CRI, 4000K)

## BHZ-2'-5.5L-840-L68

### Cone of Light

Mtg Height	Light Level	Beam Diameter
6.0 ft	53.3 fc	16.1 ft
8.0 ft	30.0 fc	21.5 ft
10.0 ft	19.2 fc	26.9 ft
12.0 ft	13.3 fc	32.2 ft
14.0 ft	9.8 fc	37.6 ft
16.0 ft	7.5 fc	43.0 ft



Based on 'BHZ-5.5L-840-L68'; ie. (BHZ, 5500lm, 80 CRI, 4000K)